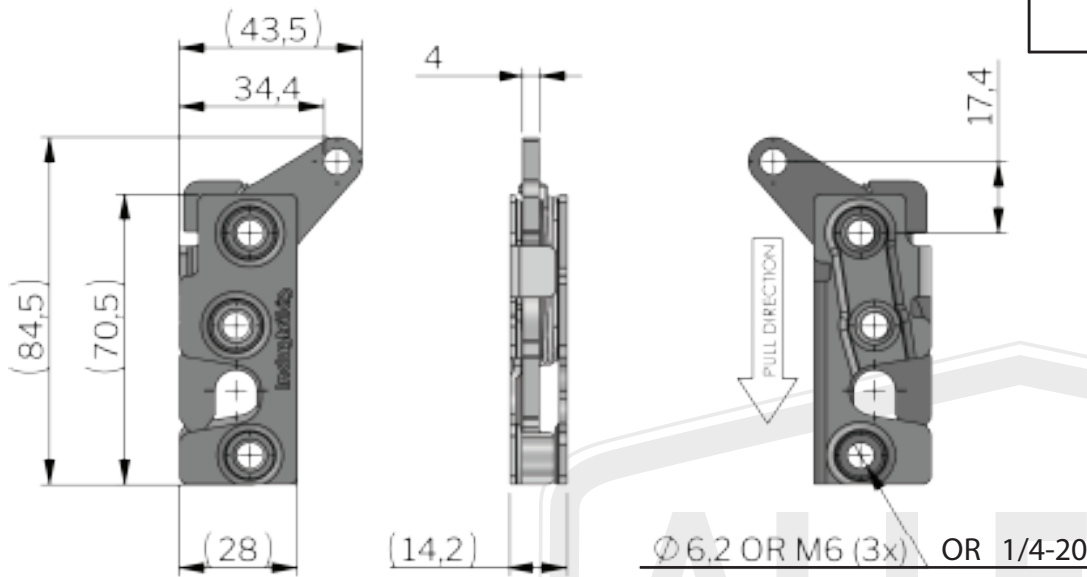
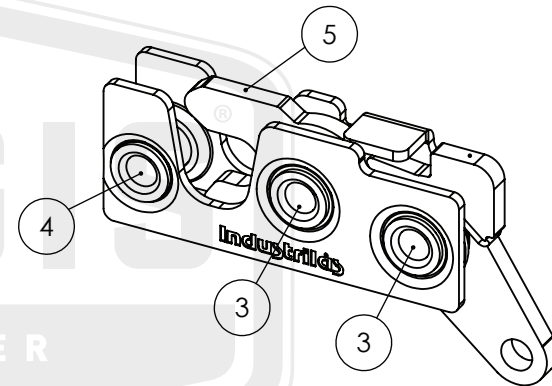
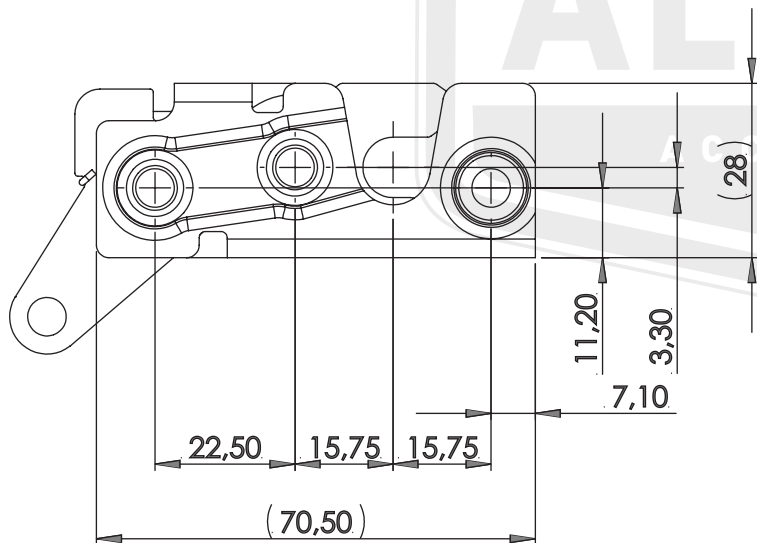


APPROVAL - CUSTOMER NAME & SIGNATURE

DATE



Configurations Rivets↓ & Claws→		Position 5	
		Single Stage 522321-304000	Double Stage 522321-305000
Position 3 & 4	ø6,2 Pos.3: 522321-310000 Pos.4: 522321-311000	5223-11110021-00	5223-11210021-00
	M6 Pos.3: 522321-317000 Pos.4: 522321-318000	5223-11111021-00	5223-11211021-00
	UNC - 1/4-20 Pos.3: 522321-325000 Pos.4: 522321-326000	5223-11112021-00	5223-11212021-00



Right Handed
Part Number

- 5223-11110021-00
- 5223-11111021-00
- 5223-11112021-00
- 5223-11210021-00
- 5223-11211021-00
- 5223-11212021-00

Left Handed
Part Number

- 5223-11110022-00
- 5223-11111022-00
- 5223-11112022-00
- 5223-11210022-00
- 5223-11211022-00
- 5223-11212022-00

ALLEGIS
ACCESS BETTER THINKING

MATERIAL:

Steel

DRAWING NO :

See Above

FINISH:

Zinc Plated

REV:

1:1

DATE:

5.10.2021

Vector Rotary Latch
Inline Bottom Pull

(Right Handed Shown)